

4

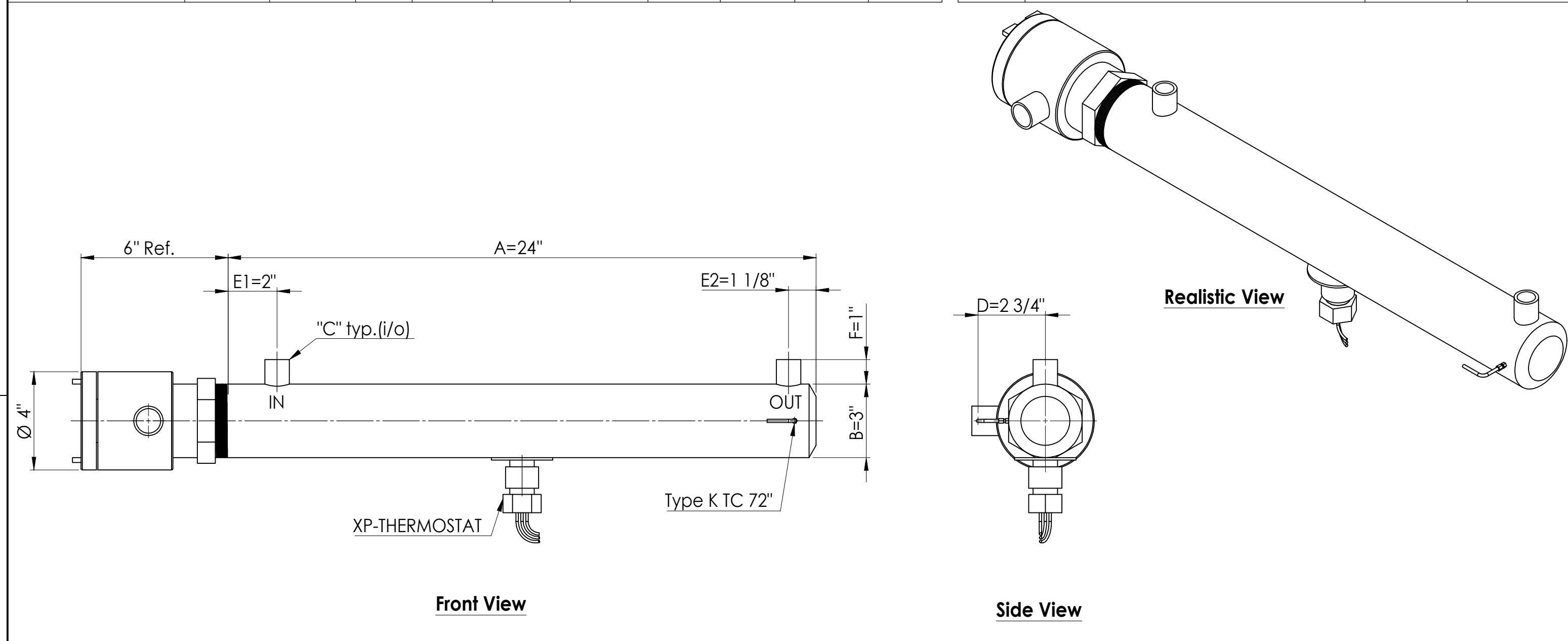
3

2

1

| | | | | | | | | | | |
|----------------|---------|---------|-------|---------|---------|----------|---------|----------|----------|---------|
| Model Number | Voltage | Wattage | Phase | "A" Dim | "B" Dim | "C" FNPT | "D" Dim | "E1" Dim | "E2" Dim | "F" Dim |
| BETA-SEP-21120 | 208 | 12000 | 3 | 24 | 3 | 3/4 | 2.75 | 3 | 1.125 | 1 |

| REVISIONS | | | |
|-----------|--------------|------|------|
| REV | DESCRIPTIONS | DATE | APPD |
| | | | |



| | | | | | |
|---|--|---|--|--|--|
| <p>PROPRIETARY</p> <p>Notice: THIS DOCUMENT EMBODIES CONFIDENTIAL PROPRIETARY INFORMATION OWNED BY BETADYNE INDUSTRIES. NOTICE IS GIVEN, THAT ALL DESIGN, MANUFACTURING AND REPRODUCTION OR USE OF THIS DOCUMENT IN CONJUNCTION WITH GOVERNMENT CONTRACT OR COMMERCIAL USE DOES NOT CONVEY ANY RIGHTS TO GOVERNMENT PARTIES OR ANY OTHER INTERESTS, AND ITS BRANCHES. ALL DESIGNS AND INFORMATION REMAIN THE SOLE PROPERTY OF BETADYNE INDUSTRIES WITHOUT EXCEPTION. ALL ORDERS BASED ON THIS EMBODIMENT ARE UNDER CONFIDENTIAL AGREEMENT AND CANNOT BE DISCLOSED WITHOUT PRIOR WRITTEN CONSENT TO UNAUTHORIZED PERSONS, OR TO INCORPORATE THIS PROPRIETARY DESIGN AND SUBSTANCE OF IT EITHER IN WHOLE OR IN PART WITH ANY OTHER PROJECT OR PARTIES.</p> | <p>TOLERANCES</p> <p>XXX +/- 1.0 XX.X +/- 0.1" X.XX +/- 0.05" .XXX +/- 0.01"</p> | <p>Unless otherwise specified drawing should be used for estimation purposes only</p> | | <p>BETADYNE INDUSTRIES</p> <p>BETADYNE INDUSTRIES 306 Sturbridge Rd Charlton MA 01507</p> | |
| | | <p>Drawn By HEG Date 01-03-22 Approval JJ Revision 0</p> | | <p>WATER HEATER SYSTEM</p> | |
| <p>BETA-SEP-21120</p> | | <p>0</p> | | <p>SHEET 1 OF 1</p> | |

4

3

2

1